

First application

Reference #

Sign. and date

Inv. # dupl.

Sign. and date

Inv. # aut.

Inv. # inv. #


Inv. # date

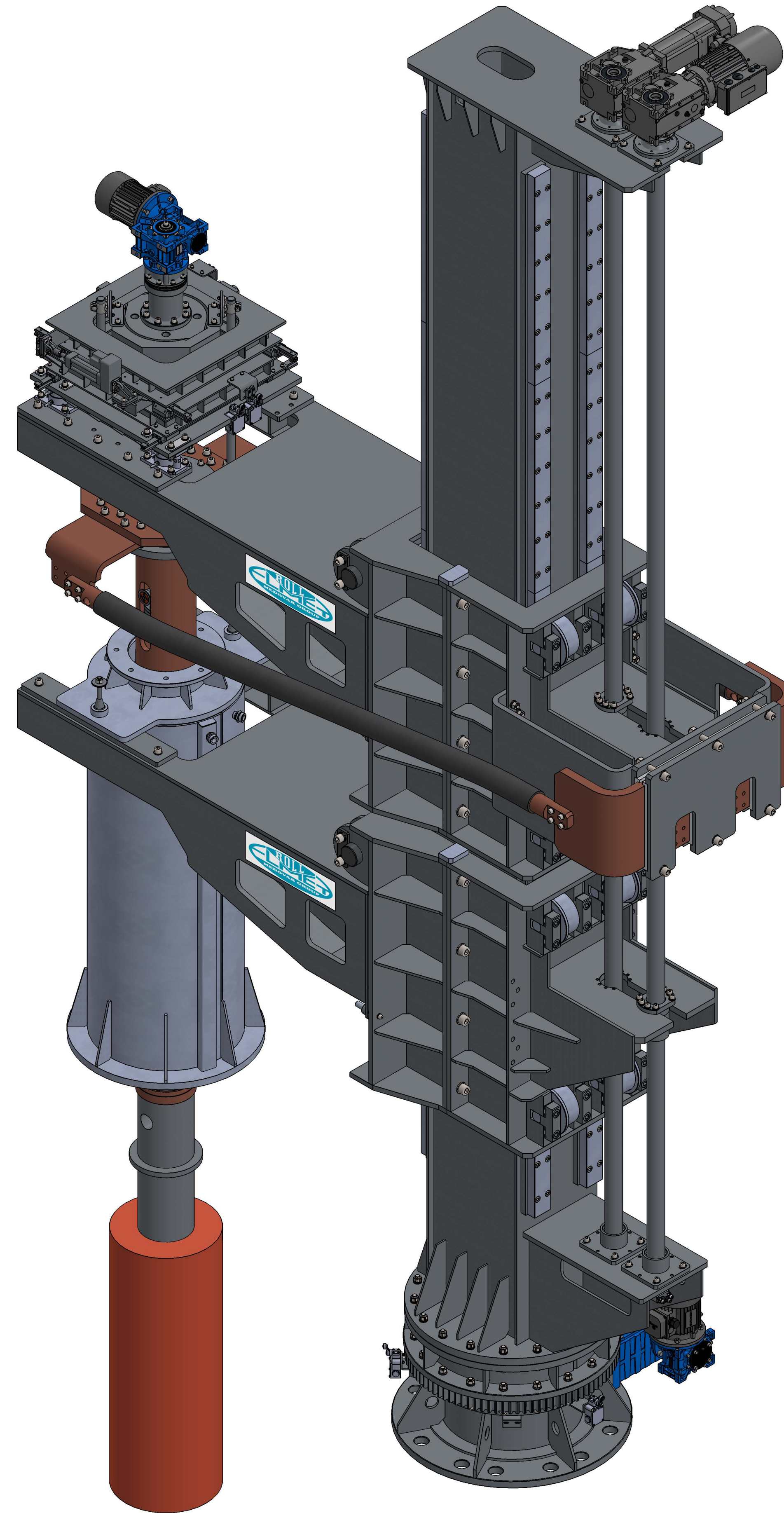
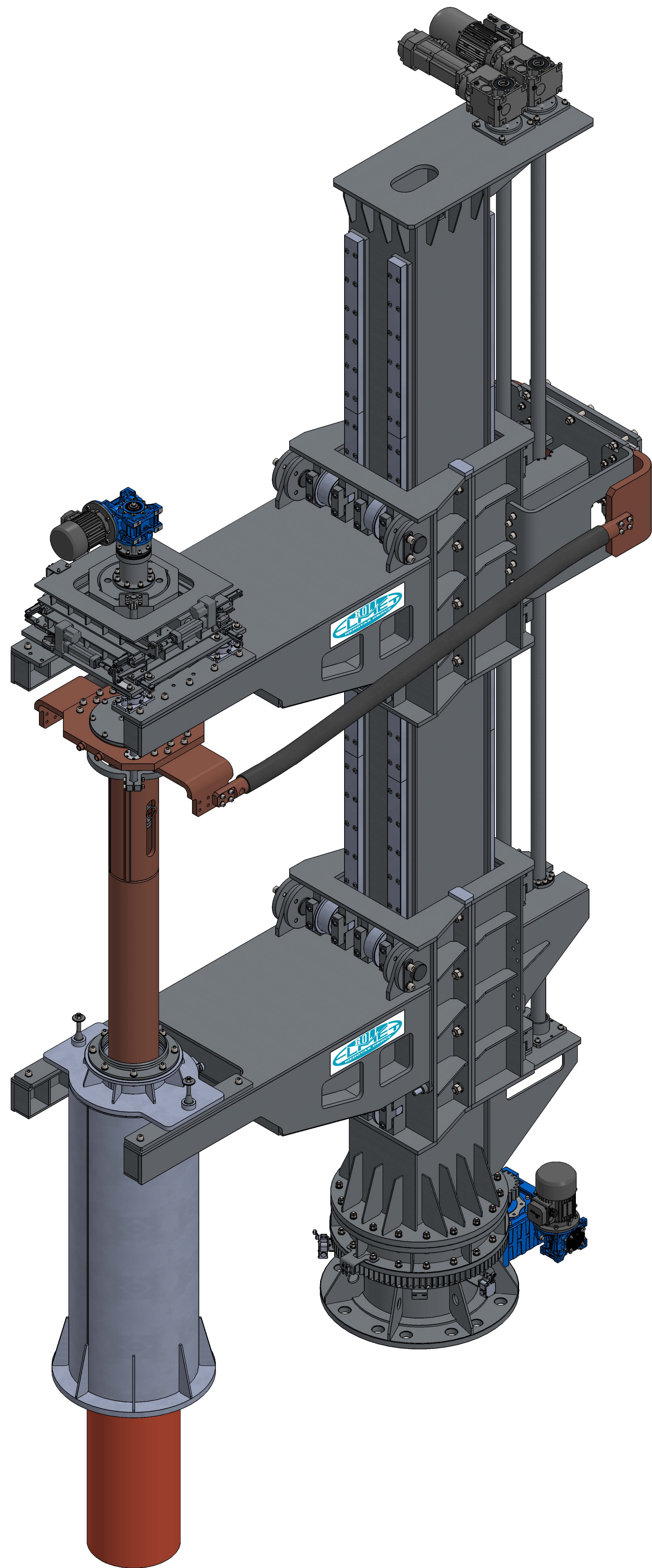
Inv. # date

Inv. # date


Inv. # date

Inv. # date

					<b>ESR3.02.00.00.00.00AD</b>		
Ch	Sheet	Document #	Sign	Date	Litera	Weight	Scale
Develop		Chouray					1:11
Inspect		Kolamiets					
T.contr.					Sheet	Sheets	1
N.contr.							
Approv		Medovar					



Inv. # auth. Sign. and date Inv. # dupl. Sign. and date Reference # First application

					<b>ESR-3.04.00.00.00.00AD</b>		
Ch	Sheet	Document #	Sign	Date	Literal	Weight	Scale
Develop		Chepurkov			<b>Drive of the Electrodeholder</b>		1:12
Inspect		Kolomiets					
T.contr.					Sheet	Sheets	1
N.contr.							
Approv		Medovar					